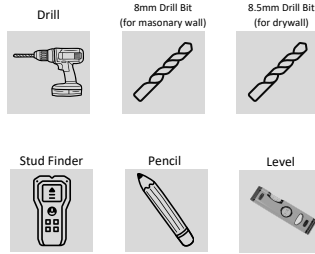


Hofina LED Shelf Install Guide



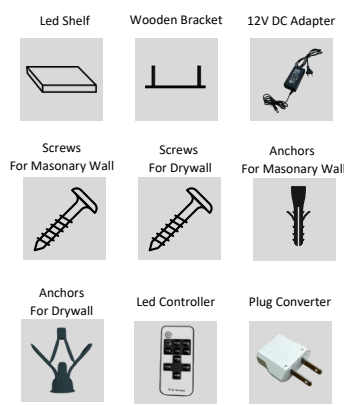
Required Installation Tools:



What You'll Need:



What's Included:

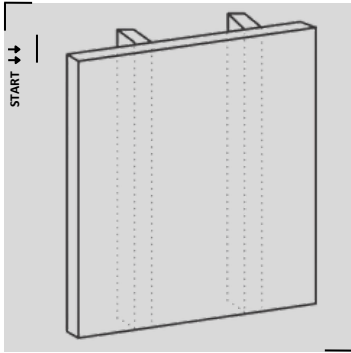


IMPORTANT REMINDER

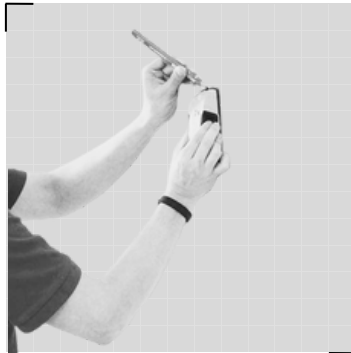
If you are using an adapter that came with the product, please kindly follow the installation steps on page 1.

However, if you prefer the cables to remain hidden and plan to install using a transformer / driver, please follow the steps on page 2.

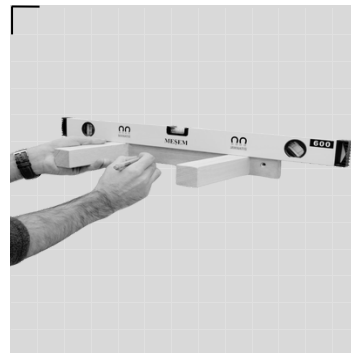
⚠ Installation with 12V DC ADAPTER (Included with the shelf) ⚠



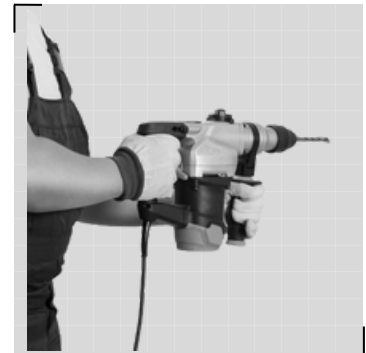
001 First: Determine your desired location for your shelf.



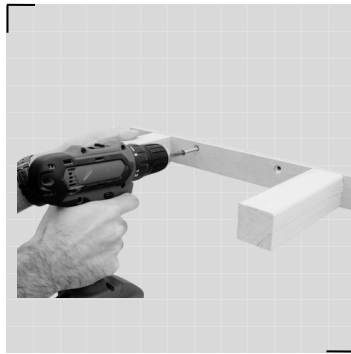
002 Mark the studs with the help of a pencil and a stud finder.



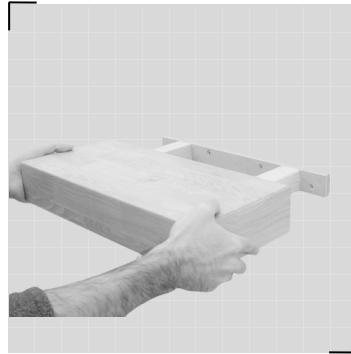
003 Please ensure the bracket is level using a spirit level. Mark the locations of the holes on the bracket and make sure to secure it to at least one stud.



004 If you are not mounting the bracket to a stud, you will need to use wall anchors. Drill holes suitable for your wall type (**drywall: 8.5mm, masonry wall: 8mm**) and insert the anchor.



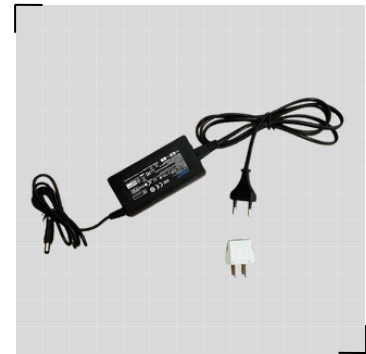
005 Secure your shelf to the wall using the screws suitable for your wall type.



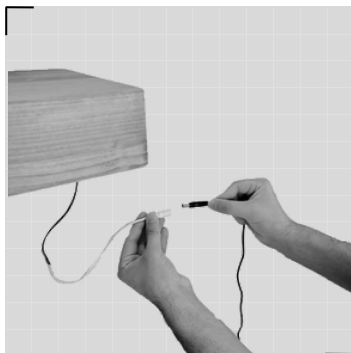
006 Slide your shelf onto the bracket.



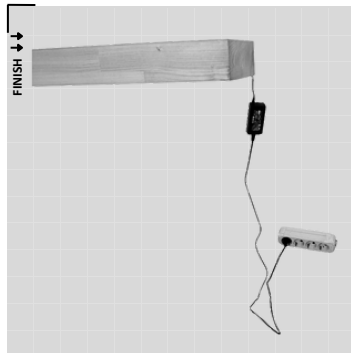
007 You may shorten the cable inside the shelf if you wish.



008 Please connect the adapter and plug converter.



009 Connect the adapter cable to the cable inside the shelf.



010 Please kindly plug the adapter with the plug converter into the outlet.

Still Need Help?

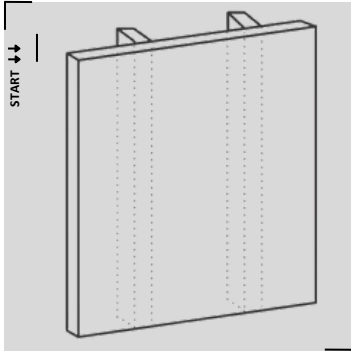
If you have any questions regarding the installation, please do not hesitate to contact us.

✉ info@hofina.com
 📷 @hofinashop

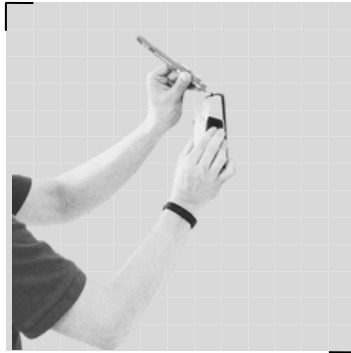




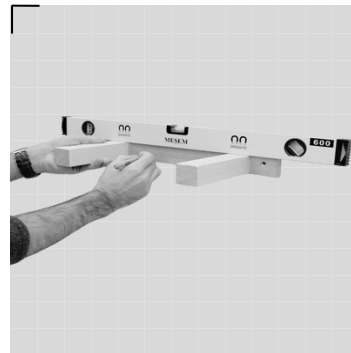
Installation with 12V DC DRIVER (NOT Included with the shelf)



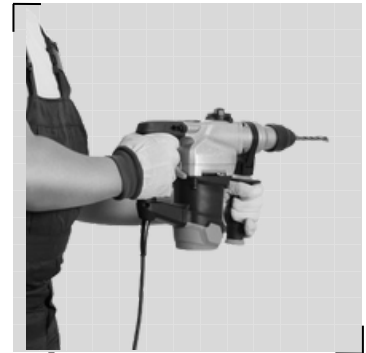
001 First: Determine your desired location for your shelf.



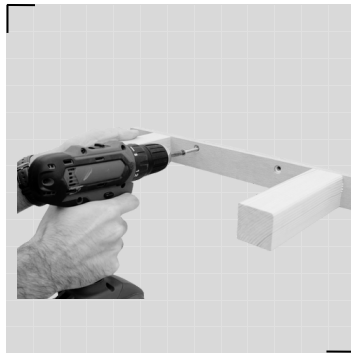
002 Mark the studs with the help of a pencil and a stud finder.



003 Please ensure the bracket is level using a spirit level. Mark the locations of the holes on the bracket and make sure to secure it to at least one stud.



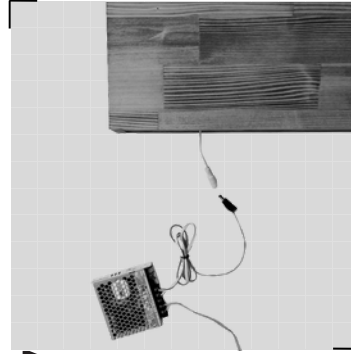
004 If you are not mounting the bracket to a stud, you will need to use wall anchors. Drill a hole suitable for your wall type and insert the anchor.



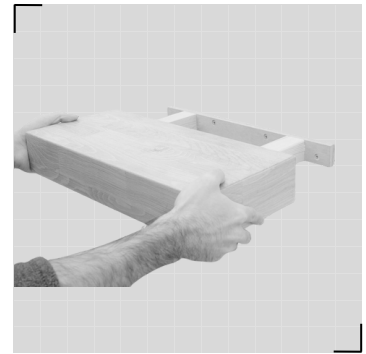
005 Secure your shelf to the wall using the screws suitable for your wall type.



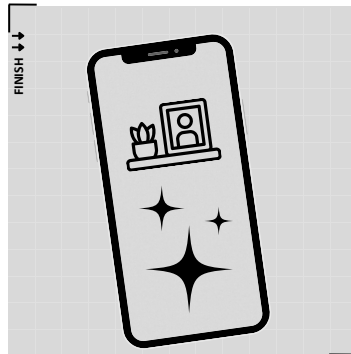
006 You may shorten the cable inside the shelf if you wish.



007 The electrician needs to connect the cable inside the shelf with the driver. You will need to provide this driver yourself.



008 Slide your shelf onto the bracket.



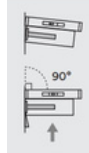
009 It's time to celebrate you and your project's innate awesomeness! You finished this project and deserve heaps of adulation. Send us a picture on Instagram to: @hofinashop. Warning: rad prizes may apply!

Rad Tips

① Plum, Square & Level



If your wall is not straight, use shims to ensure your bracket is installed straight across the wall face and square to the wall. The shelf & bracket will properly mate only if the bracket is straight and plum.



Your shelf should be level from front edge to the wall. If the shelf is still sagging, use shims to adjust the level of the bracket.

② Studs & Blocking



Studs are the vertical 2x4 boards that make up the bones of your walls. They provide solid structure for your shelves to attach to. Blocking is typically added later between studs in the wall for additional support to mount shelves or hook to, and is usually made from 2x4 or 2x6 lumber.

③ Wiring Access



The wires of your LED shelf will need to be accessed by an electrician to connect power to your LED lights. Consult with a certified electrician before you complete the shelf install.

Warnings

① Certified Electrician Required For Install



You must work with a certified electrician to install this product. Failure to do so may result in damaged or a non-functioning product, or even electrical fire. Hof cannot be held responsible for any electrical work done, or any damage done to you or your home due to improper electrical work attempted. Get an electrician!



② Use All Studs and/or Wall Blocking



Shelves must be correctly installed into studs or wall blocking. Failure to do so may result in sagging shelves, falling objects, or serious injury.

