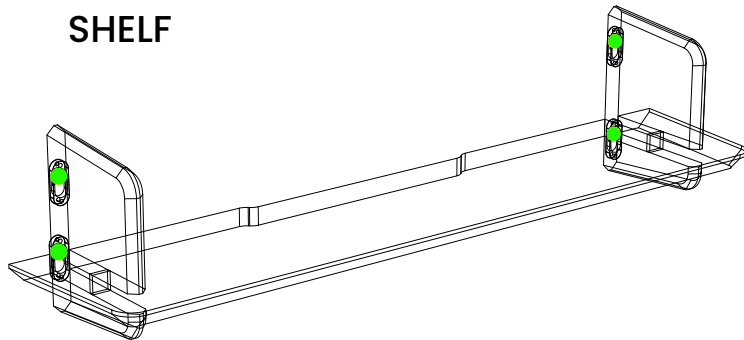


SHELF



Make the necessary markings according to the size of your shelf on the wall where you will make the connection.

** Use the screw that suits your wall

1- Fix the green dots on the wall with screws

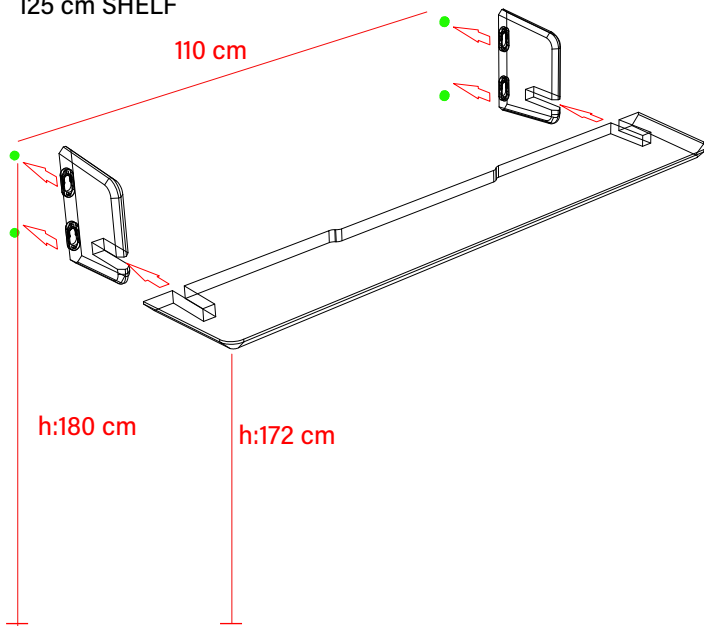
2-Fix the shelf holders by placing them

place it on the green dots and push it down.

3-Place the shelf after fixing the two shelf holders

125 cm SHELF

110 cm

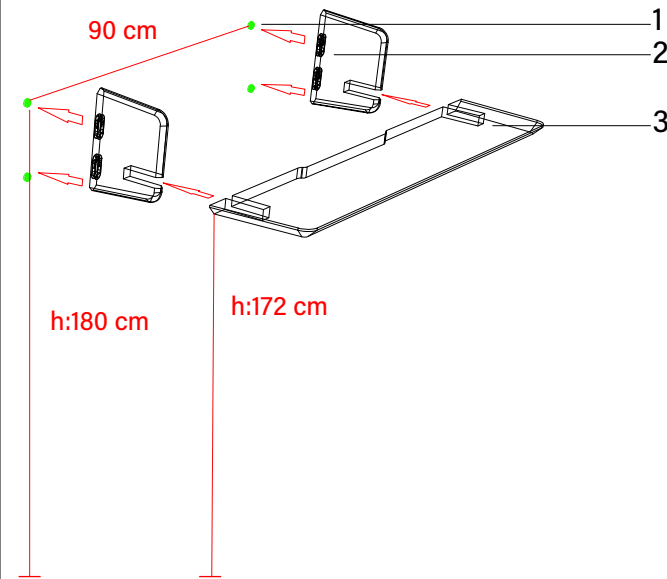


h:180 cm

h:172 cm

105 cm SHELF

90 cm



h:180 cm

h:172 cm

1

2

3